



Vandal-Proof Products

# Electronic Micro Systems Inc.'s Vandal-Proof Products

125 Ricefield Lane • Hauppauge, NY 11788  
631-864-4742 • 800-501-7790 • fax: 631-864-4770  
www.vandalproof.com

DEPENDABLE EMERGENCY COMMUNICATIONS

A  
HALMA GROUP  
COMPANY

## MODELS AE744 and AE744ND

### Polyethylene Enclosures for Models T21XX

AE744  
with door



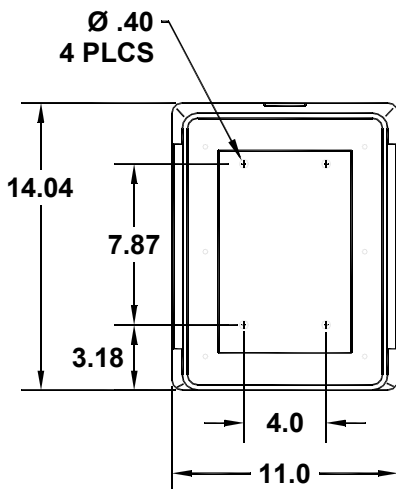
AE744ND  
no door

This polyethylene surface mount enclosure for the VPP T21XX emergency hands-free and handset telephone is offered with a door and without a door. The door version, AE744, provides complete protection for the telephones in extremely harsh environments. The stainless steel door hinge is spring loaded, and the door has a positive latching mechanism to ensure a tight seal at the door/case interface. The case without a door, AE744ND, provides an economical, corrosion resistant, mounting mechanism with a built in drip lip. The enclosure has four mounting holes for easy mounting to any flat surface, or for use with a VPP A753 Pole Mounting Kit.

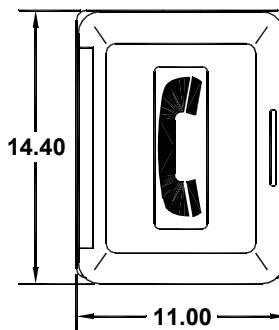
### Specifications

#### Mechanical

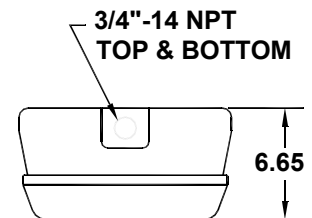
<b>Dimensions</b>	AE744: 14.4" H x 11" W x 6.7" D
	AE744ND: 14" H x 11" x 3.6"
<b>Material:</b>	.20 thick polyethylene yellow, (std) Ultra-Violet Stable
<b>Weight:</b>	AE744: 7.5 lbs.
	AE744ND: 4 lbs.



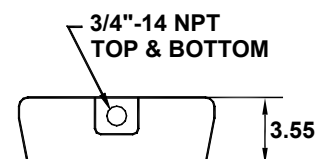
**MOUNTING DIMENSIONS**



**OVERALL DIMENSIONS**



**TOP VIEW (AE744)**



**TOP VIEW (AE744ND)**

AE744.030602

Due to the dynamic nature of the product design, the information contained in this document is subject to change without notice. EMS, its affiliates and/or subsidiaries assume no responsibility for errors and/or omissions contained in this information. Revisions of this document or new editions of it may be issued to incorporate such changes.