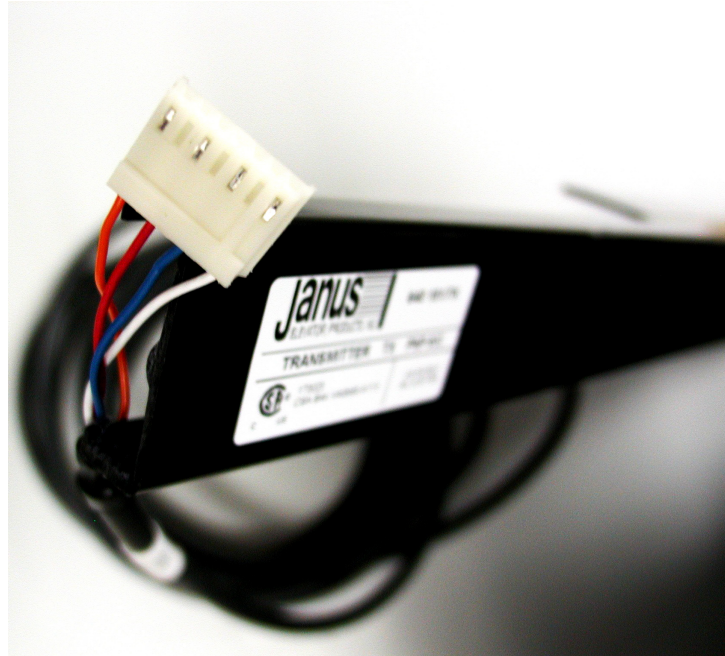




Providing Passenger Safety that is Second to None

Model 640



Model 640

The Model 640 is at a low price point to help you meet your customers need for an inexpensive edge.

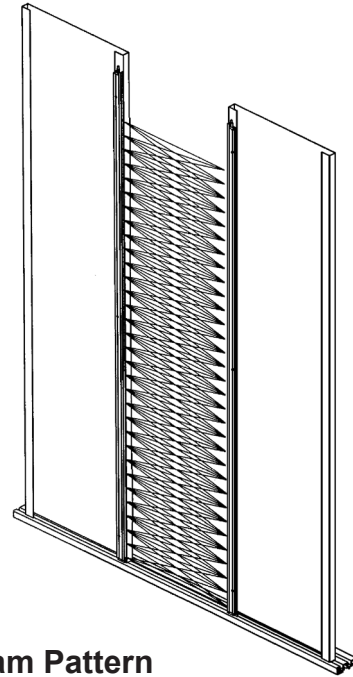
The 640 door edge safety system that provides a light-curtain of infra-red beams operating between the elevator car doors. Any person or object breaking the beams will trigger the system and re-open the doors. The dense beam pattern will pick up even very small objects between the car doors.

Features & Benefits

- 154 criss-cross beams
- Complies with American Disability Act
- Protection up to a height of 72"
- Diagonal beams-to-close
- Low power consumption
- Microcontroller based TX and RX (optional power supply box)
- Diagnostic LED's
- 1 5/8" wide profile
- Simplified installation
- Can be used on center-opening and side-opening doors



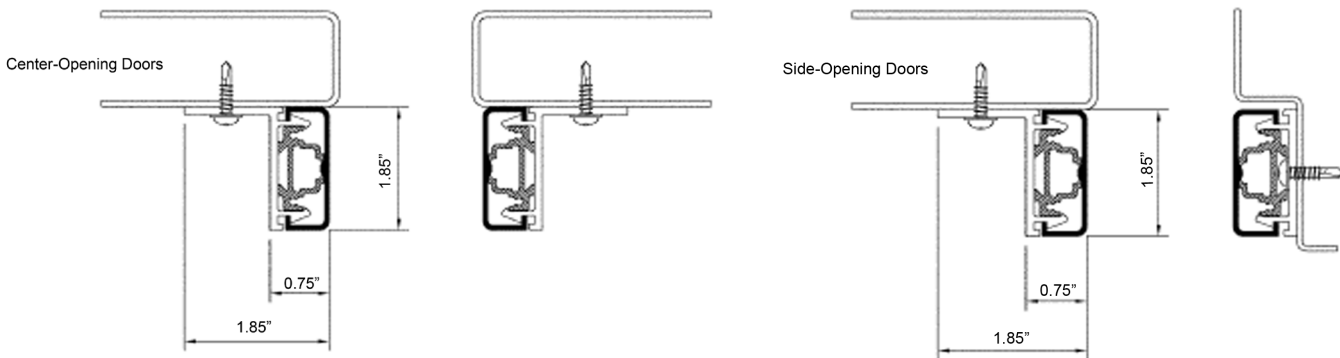
Power Supply Shown Above



Model 640 Beam Pattern

Specifications

- 154 Beams
- 120-240VAC
- 0.75" Level of Lowest Beam
- 72" Level of Highest Beam
- Dry Relay, 240VAC@5A, 24VDC@5A



125 Ricefield Lane
Hauppauge, NY 11788
Phone: 631 864-3699 • 800 527-9156
Website: www.januselevator.com
E-mail: sales@januselevator.com