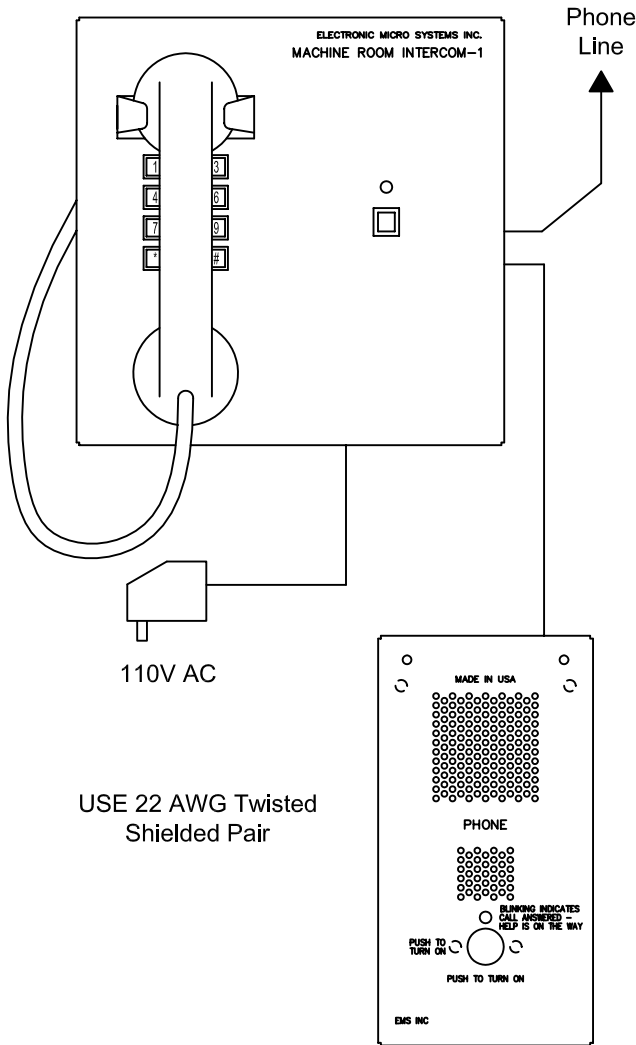


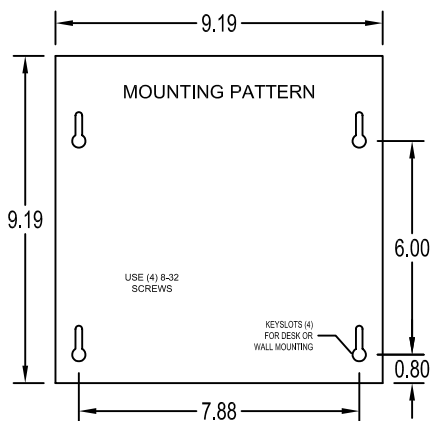
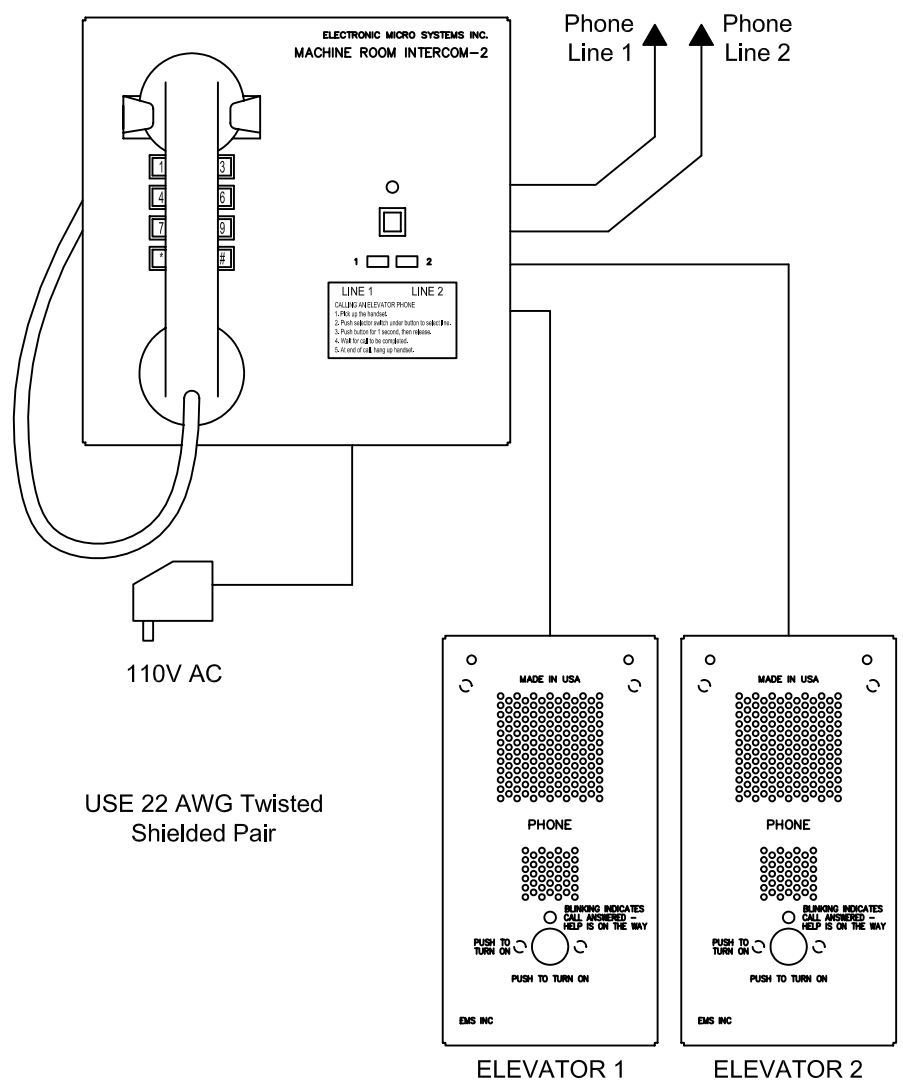
# SHWMRI - Machine Room to Elevator Communication System

The SHWMRI is an easy upgrade solution to provide two-way voice communications between the machine room and the elevator car using an *existing* ADA elevator phone. The SHWMRI installs in the machine room, using the telephone line that is connected to the elevator phone. The telephone line is cut and the ends are connected to terminal connectors inside the SHWMRI unit. When the SHWMRI is not active, the elevator phone has full access to the telephone line.

## SHWMRI-1 WIRING



## SHWMRI-2 WIRING



Meets requirements for ASME A17.1-1996 AND ASME A17.1-2000 Safety Code for Elevators and Escalators.

"A means shall be provided to enable two-way voice communications between the machine room and the interior of the car"

# EMS

Electronic Micro Systems Inc.  
 125 Ricefield Lane \* Hauppauge, NY 11743  
 Phone: (631) 864-4742 \* Fax: (631) 864-4770  
 Phone: (800) 333-3671 \* Fax: (888) 333-3671  
 Web Site: [www.emscomm.com](http://www.emscomm.com)  
 E-mail: [sales@emscomm.com](mailto:sales@emscomm.com)

—A—  
**HALMA**  
 GROUP  
 COMPANY