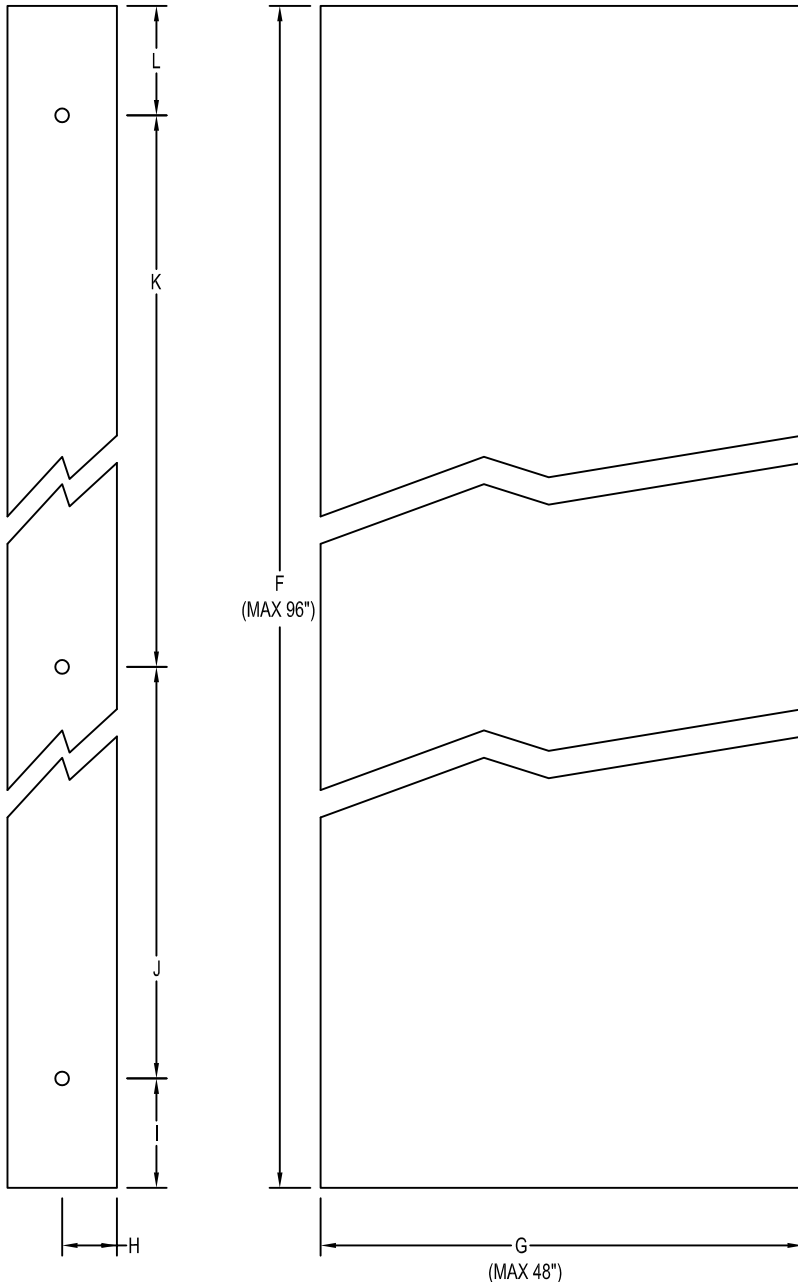
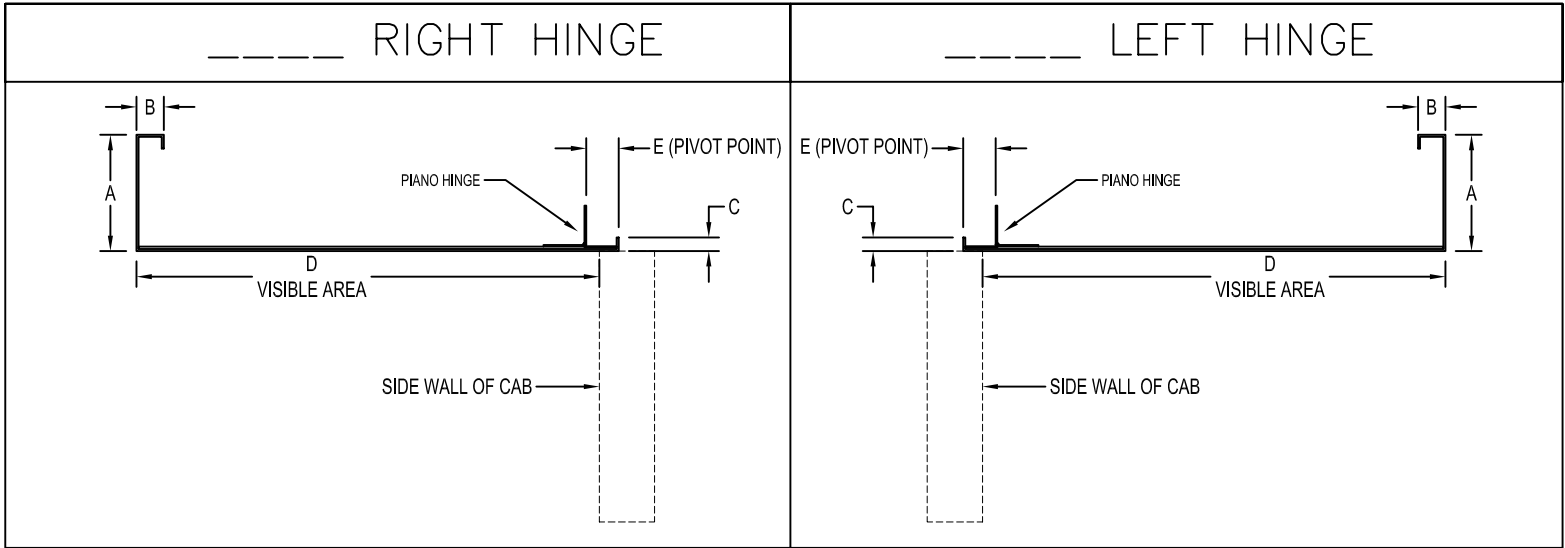


SWING RETURN SURVEY SHEET

PROJECT: _____ CAR NO. _____



DIMENSIONS			
A		G	
B		H*	
C		I*	
D		J*	
E		K*	
F		L*	

* H, I, J, K, L - ONLY IF MATCHING EXISTING LOCKING MECHANISM

SPECIFICATIONS

MATERIAL:

- _____ #4 BRUSH FINISH _____ (SHORT/LONG GRAIN)
- _____ #4 MUNTZ BRUSH FINISH OXIDIZED (LIGHT/MED/DARK)
- _____ #8 MIRROR FINISH _____
- BOX - 14 GA. GALVANIZED STEEL
- PIANO HINGE (STANDARD)
- LOCKING MECHANISM (STANDARD)

DIMENSIONS ARE LIMITED TO:

- 8' (OR 96") MAXIMUM ON HEIGHT
- 4' (OR 48") MAXIMUM ON WIDTH
- 90 DEGREE BEND (NO SPECIAL BEND)
- IDENTIFY ANY INTERFERENCE (CEILING, WALL, FLOOR, BACKBOX)



MONITOR CONTROLS Inc.
125 Ricefield Lane, Hauppauge, New York 11788