

Sound Innovation, On Call



T1250B



T1250E



T1250S

T1250 Series Elevator Telephone

A versatile line of full duplex elevator phones with 3 different mounting styles.

The T1250 emergency telephone is an intelligent, hands-free, full duplex unit that can be connected to analog telephone lines from any CO, PBX, or Key System.

The T1250B model is a box style, surface mounted unit. The T1250E model is an enclosure mounted unit, such as in a Car Operating Panel. The T1250S model is a stainless steel, flush mounted unit.

The T1250 series of telephones are ideal for applications behind elevator car operating panels, areas of rescue, or any indoor area requiring emergency assistance communications.

Features & Benefits

- True-Talk™ Full Duplex Speakerphone
- Full ADA Compliance
- Dials up to 4 Phone Numbers
- 2 Visual Call Progress Indicators
- Automatic Number Identifier
- Tone Feature for Patron Signaling
- 1 Programmable Auxiliary Output
- Keypad for Programming
- Remotely Programmable
- 1 or 2 Programmable Messages
- Programmable Ring Count
- Non-Volatile Memory
- AC/DC Power
- Four Hour Battery Back-Up
- Metal Braille Plate (B & S models)



Electronic Micro Systems Inc.

www.electronicmicrosystems.com

125 Ricefield Lane
Hauppauge, NY 11788
Phone: (631) 864-4742

Toll Free: 800 333-3671

Fax: (631) 864-4770

E-mail: sales@emscmm.com

Specifications

T1250B Mechanical

- 8.85"H. x 4.8"W x 2.6"D
- Panel: Black Enamel Cold-Rolled Steel
- Weight: 3 lbs.
- Connectors: 1 RJ-11, 1 power connector

T1250E Mechanical

- 6"H. x 5"W x 2.25"D
- Panel: 16 Ga. (.062") Epoxy Glass
- Weight: 1.5 lbs.
- Connectors: 1 RJ-11, 1 power connector

T1250S Mechanical

- 9"H. x 6"W x 1.75"D
- Panel: 13 Ga. (.090") brushed stainless
- Weight: 3.5 lbs.
- Connectors: 1 RJ-11, 1 power connector

Electrical

- Power: 6 to 24 V isolated DC, or powered from 110VAC converter provided
- Talk Battery: 24-56 VDC
- Loop Current Range: 11-120 Milliamps
- REN: 1.1
- Dialing: Tone or Pulse
- Frequency Response: 300HZ - 3kHz

Environmental

- Operating Temp: -20°C to +50°C (-4°F to +122°F)

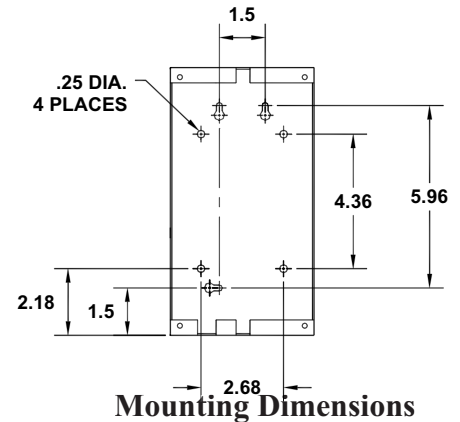
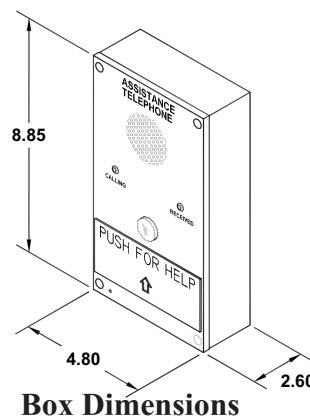
Regulatory Standards

- FCC Reg. #: 5CDUSA-30708-AL-E
- Industry Canada No.: 26817738A

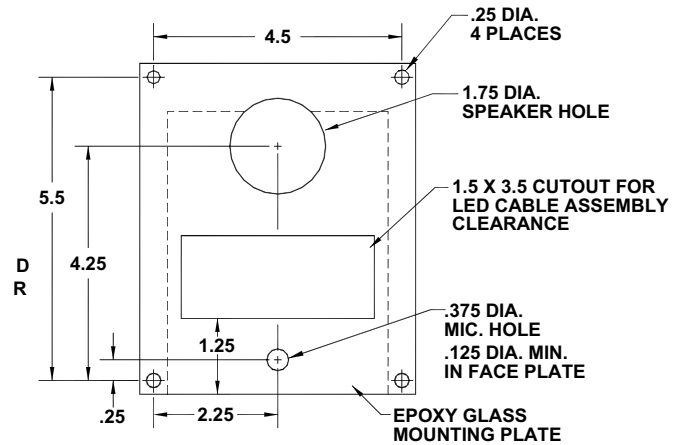
Providing versatile solutions for all your needs



T1250 Mounting



T1250 E Mounting Dimensions



T1250 S Mounting Dimensions

